

AR-5127 Digital Laser Copier/Printer

Specifications

GENERAL

Type	Desktop
Copy system	Dry, electrostatic transfer system
Paper size	Max. A3 (11" x 17"), min. A6R (5 1/2" x 8 1/2")
Paper capacity	1,100 sheets (500 x 2 + 100), expandable up to 2,100 sheets with options
Copy/print speed (max.)	27 cpm/ppm (A4 size, 8 1/2" x 11")
Memory*1	16MB, upgradeable to 272MB with options
Warm-up time*2	Approx. 40 seconds
First copy time*2	Approx. 4.8 seconds (A4 size, 1st paper tray)
Power requirements	Rated local AC voltage ±10%, 50/60 Hz
Power consumption	Max. 1.2 kW
Dimensions (W x D x H)	628 x 585.5 x 673 mm (24 29/32" x 23 3/64" x 26 1/2")
Weight	Approx. 48.8 kg (107.5 lbs)

COPIER (optional AR-EB4 Dual Function Board required for some features)

Original size	Max. A3 (11" x 17")
Continuous copy	Max. 999 copies
Resolution	Print: 600 dpi Scan: 400 dpi
Zoom range	Standard: 50 to 400% with 9 preset ratios (4 reduction + 5 enlargement) With AR-EB4: 25 to 400% with 10 preset ratios (5 reduction + 5 enlargement)
Duplex module	Trayless 1 pass, switch back system
Duplex copy size	Standard: Max. A4 (8 1/2" x 11"), min. A5 (5 1/2" x 8 1/2") With AR-EB4: Max. A3 (11" x 17"), min. A5 (5 1/2" x 8 1/2")
Copier features	Standard: Auto paper selection, auto magnification selection, XY zoom, B&W reverse, dual page copy mode With AR-EB4: Electronic sorting, job offset, rotation copy, 2-in-1/4-in-1, margin shift, edge/centre erase

PRINTER (optional AR-EB4 Dual Function Board required)

Resolution	600 dpi
Interface	USB and IEEE 1284 parallel port
Supported OS	Windows® 95/98/Me, Windows NT® 4.0, Windows® 2000, Windows® XP
PDL (emulation)	Sharp Printer Language with Compression (SPLC)
Printer features	N-up (2/4), fit to page, job offset

FACSIMILE (optional AR-FX4 Fax Expansion Kit required)

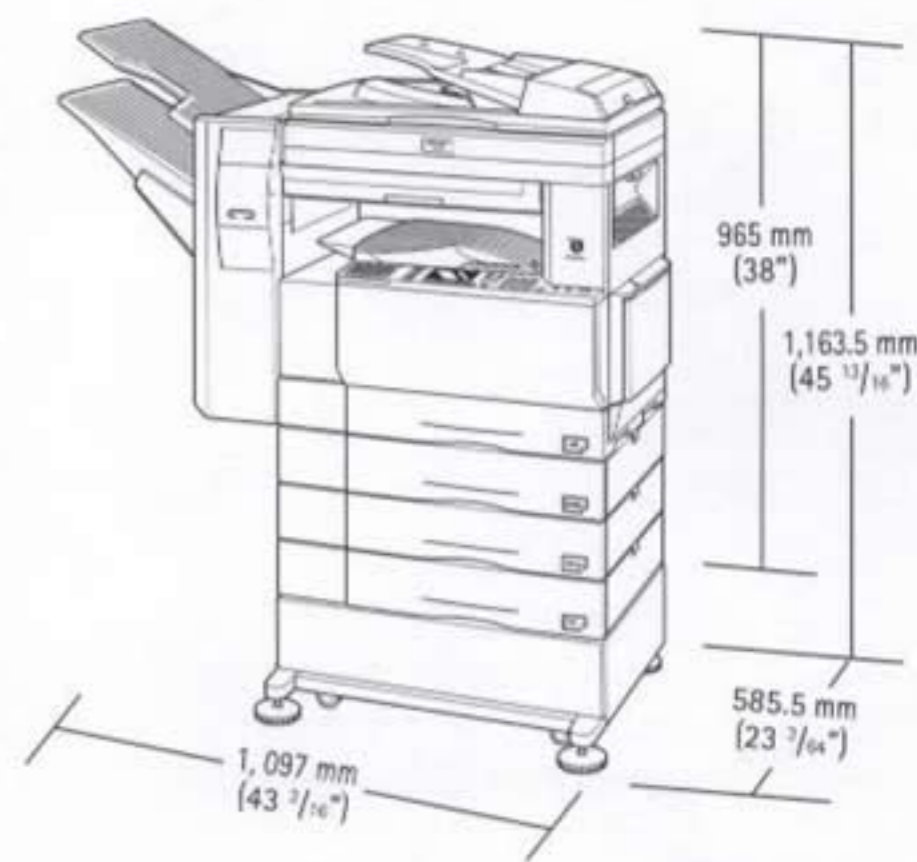
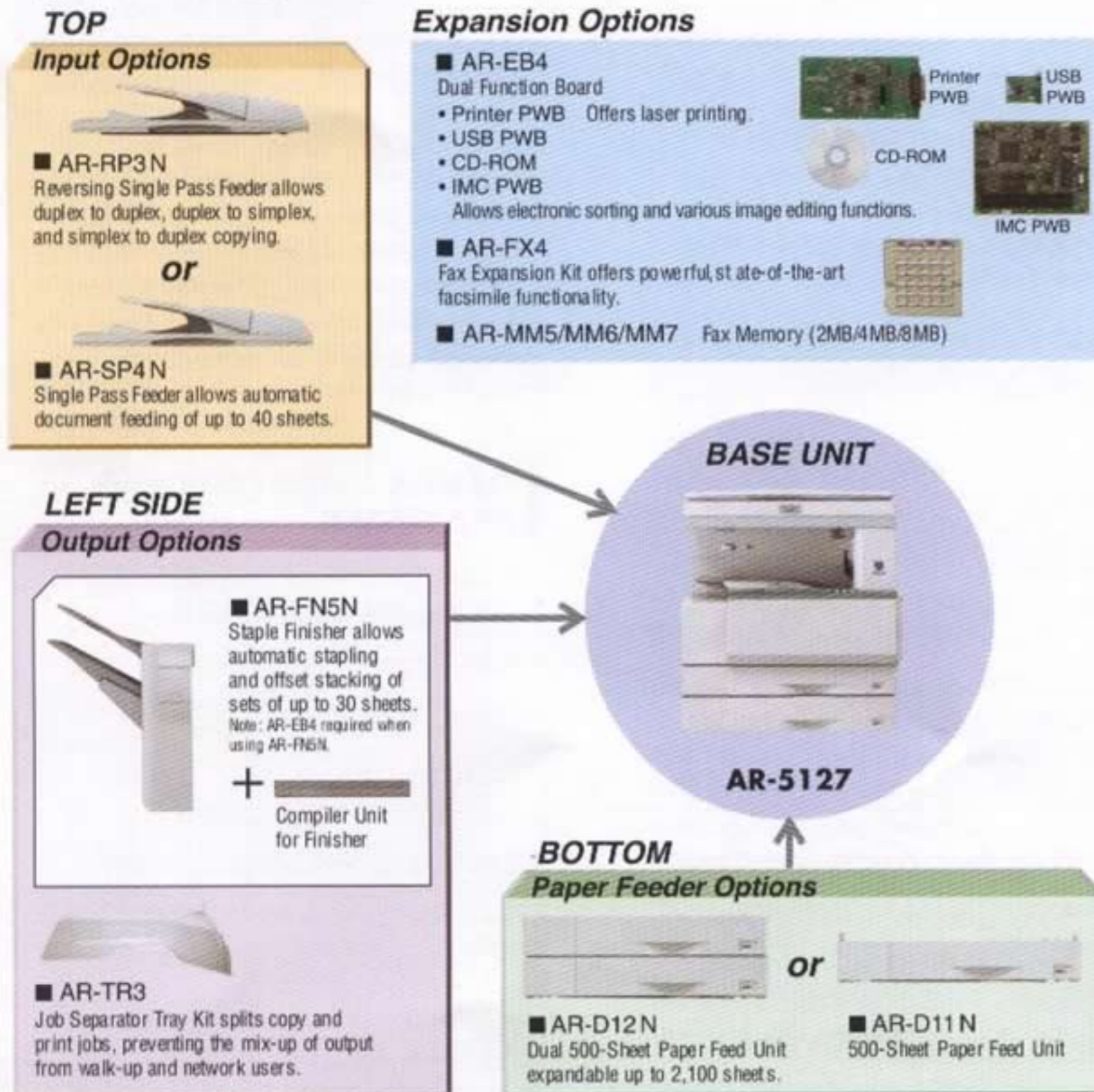
Compression method	MH/MR/MMR/JBIG
Communication protocol	Super G3/G3
Transmission time	Less than 3 seconds*3
Modem speed	33,600 bps to 2,400 bps with automatic fallback
Scanning resolution	Standard: 8 dots x 3.85 lines/mm (203 dots x 98 lines/inch) up to 16 dots x 15.4 lines/mm (406 dots x 392 lines/inch)
Memory	2MB expandable up to 10MB with options
Grayscale levels	256 levels

*1: This memory is available with the optional AR-EB4 and works for copying and printing.

*2: At rated voltage, 20°C (68°F), 65% RH.

*3: Based on ITU-T test chart No. 1 at standard resolution in Super G3 mode, 33,600 bps, JBIG compression.

System Configuration



Design and specifications are subject to change without prior notice.

The ENERGY STAR logo is a certification mark and may only be used to certify specific products that have been determined to meet the ENERGY STAR programme requirements. ENERGY STAR is a US registered mark. The ENERGY STAR guidelines apply to products only in the US, Europe, Australia, New Zealand and Japan.

Windows and Windows NT are either registered trademarks or trademarks of Microsoft Corporation in the United States and/or other countries. Some brand names and product names are trademarks and registered trademarks, thus are the property of their respective owners.